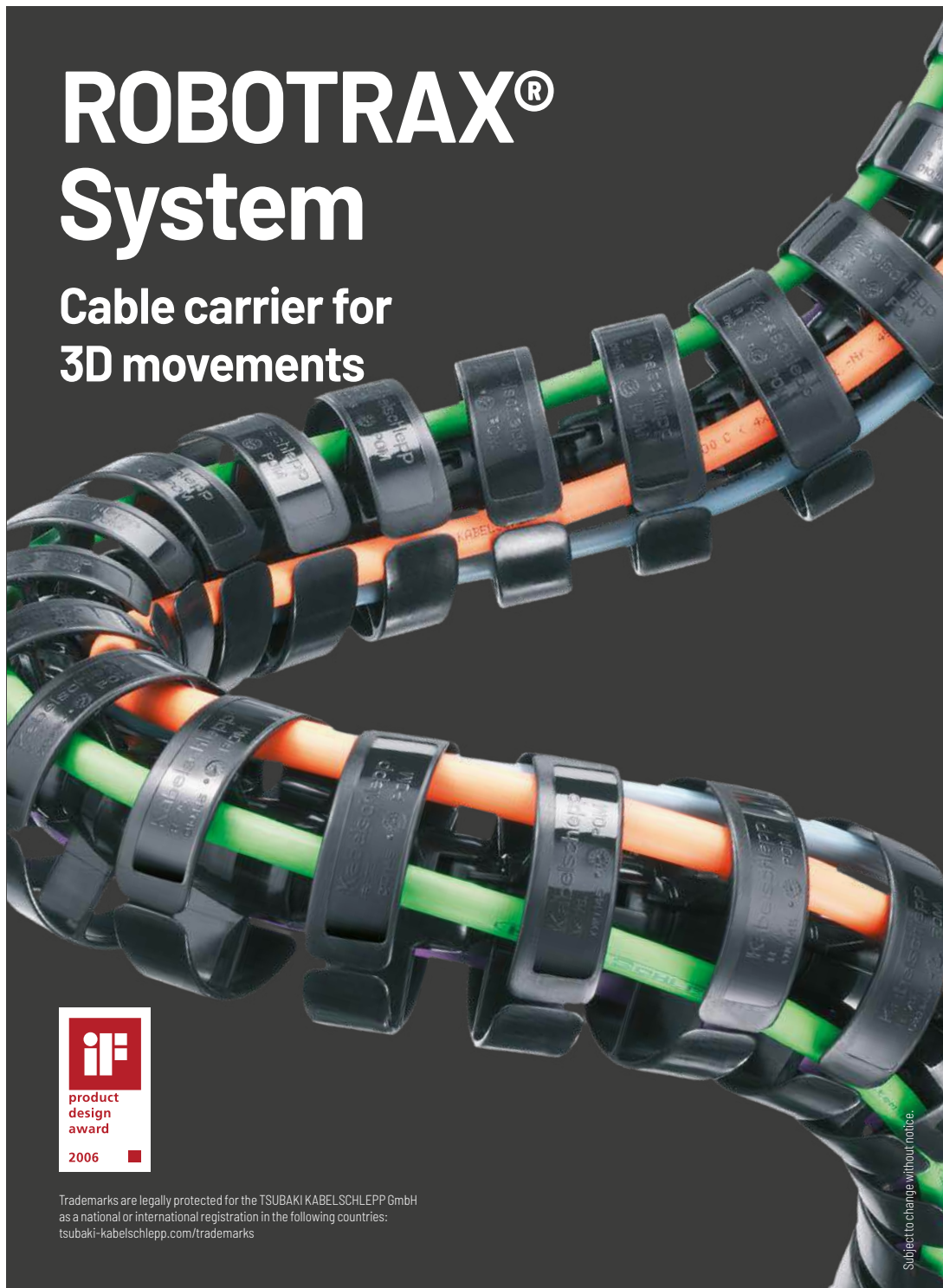


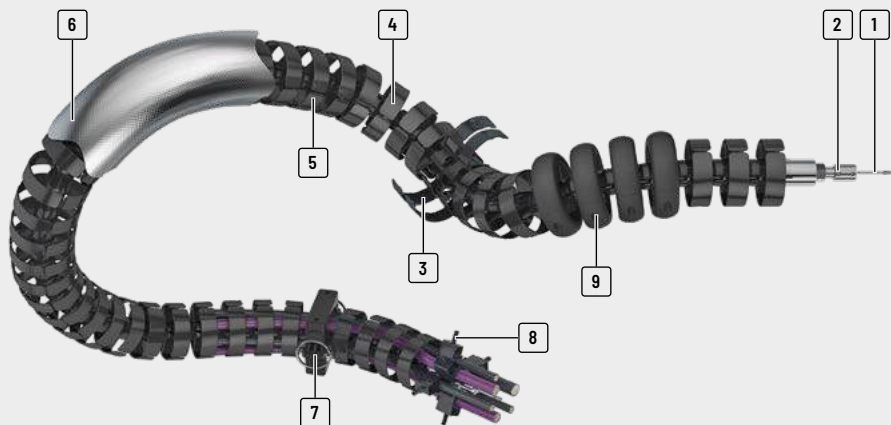
# ROBOTRAX® System

Cable carrier for  
3D movements



Trademarks are legally protected for the TSUBAKI KABELSCHLEPP GmbH  
as a national or international registration in the following countries:  
[tsubaki-kabelschlepp.com/trademarks](http://tsubaki-kabelschlepp.com/trademarks)

Subject to change without notice.



- 1 Steel cable for transferring extremely high tensile forces
- 2 Tension piece for locking the chain links
- 3 Type with toolless opening swivel crossbars and divider module available
- 4 Open design
  - Fast cable laying as the cables are simply pressed in
  - Easy checking of all cables
- 5 Special plastic for long service life
- 6 Protective covers or heat shields made from different materials are available for different environmental conditions
- 7 Quick-release bracket for fixing and continuation
- 8 Strain relief with LineFix clamps
- 9 Protection against hard impacts, excessive abrasion and premature wear as well as limitation of the bending radius through protector

## Features

- » Suitable for three-dimensional swivel and rotation movements
- » Ideal for a long service life of the cables:
  - The bending radius does not fall below the minimum when using protectors
  - The cables can be separated in three chambers
- » Also ideal for turntables



Swiveling crossbars and divider module (R140X)



Active return mechanism with the PBU pull back unit (R040 - R100)



Fast cable laying by simply pressing in the cables (R040 - R100)



Strain relief for secure fixing of the cables

MT series

XLT series

ROBOTRAX® System

FLATVEYOR®

CLEANVEYOR®

LS/LSX series

S/SX series

S/SX-Tubes series

Accessories

TRAXLINE®

Type	Opening variant	$h_i$ [mm]	$B_i$ [mm]	$D_a$ [mm]	$t$ [mm]	KR [mm]	Radial link rotation on 1 m length [°]	Additional load $\leq$ [kg/m]	Cable- $d_{max}$ [mm]	Page	
MT series											
XL series	<b>R040</b>		10	27	40	21,5	70 [75]	$\pm 450$	0,7	8,5	646
ROBOTRAX® System	<b>R056</b>		14	39	56	32	90 [105]	$\pm 300$	1,1	11	646
FLATVEYOR®	<b>R075</b>		22	52	75	40	125 [140]	$\pm 215$	4	18	646
CLEANVEYOR®	<b>R085</b>		24	54	85	40	130 [170]	$\pm 215$	5	20	646
LS/LSX series	<b>R100</b>		31	64	100	40	130 [175]	$\pm 215$	6	27	646

Values in [ ] apply when using protectors

Type	Opening variant	$h_i$ [mm]	$B_i$ [mm]	$D_a$ [mm]	$t$ [mm]	KR [mm]	Radial link rotation on 1 m length [°]	Additional load $\leq$ [kg/m]	Cable- $d_{max}$ [mm]	Page	
S/SX-Tubes series											
Accessories	<b>R140X</b>		48	74	140	50	125 [225]	$\pm 200$	10	42	647

Values in [ ] apply when using protectors



Subject to change without notice.

645

MT  
series

XLT  
series

ROBOTRAX®  
System

FLATVEYOR®

CLEANVEYOR®

LS/LSX  
series

S/SX  
series

S/SX-Tubes  
series

Accessories

TRAXLINE®

# ROBOTRAX®

MT  
seriesXLT  
seriesROBOTRAX®  
System

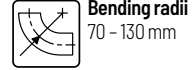
FLATVEYOR®

CLEANVEYOR®

LS/LSX  
seriesS/SX  
seriesS/SX-Tubes  
series

Accessories

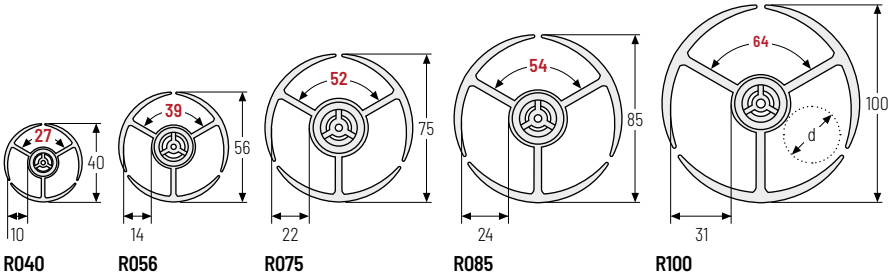
TRAXLINE®



## Chain links single part

The basic structure of ROBOTRAX® consists of plastic links. These have spherical snap-on connections on both sides. This allows the individual links to be snapped together to form a cable carrier.

Protectors ensure that the bending radius does not fall below the minimum in any direction. The links can be rotated in the radial direction (see table values). The cables can be separated in three chambers.



## Dimensions

Type	t [mm]	KR [mm]	Radial rotation possible on 1 m length [°]	d* [mm]	Number of links per m
R040	21.5	70 [ 75]	± 450	2 - 8.5	47
R056	32	90 [105]	± 300	2 - 11	31
R075	40	125 [140]	± 215	3 - 18	25
R085	40	130 [170]	± 215	3 - 20	25
R100	40	130 [175]	± 215	3 - 27	25

Values in [ ] apply when using protectors

\*We recommend a maximum cable diameter of 70 % of the highest specified value

## Order example



\* Type 010: cables are simply pressed in

## Calculating the cable carrier length

Cable carrier length  $L_k$

$$L_k = n \times t$$



**Pitch**  
50 mm



**Inner height**  
48 mm



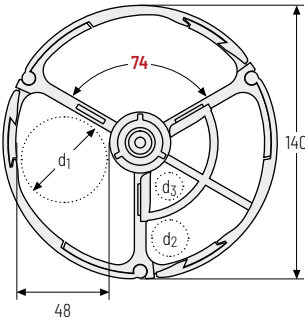
**Inner width**  
74 mm



**Bending radius**  
125 mm

## Chain links with crossbars

The basic construction is similar to the ROBOTRAX® types with single part design. Swiveling crossbars with snap locks make it easy to open and safely close the cable carrier. In addition, the three chambers can be divided horizontally and vertically by a divider module for precisely separating cables and hoses.



R140X

### Dimensions and order

Type	t [mm]	KR [mm]	Radial rotation possible on 1 m length [°]	d <sub>1</sub> [mm]	d <sub>2</sub> [mm]	d <sub>3</sub> [mm]	Number of links per m
R140X	50	125 [225]	± 200	42	18	15	20

Values in [] apply when using protectors

### Order example



\* Type 030: Outside opening crossbars

### Calculating the cable carrier length

**Cable carrier length  $L_k$**

$$L_k = n \times t$$

MT series

XLT series

ROBOTRAX® System

FLATVEYOR®

CLEANVEYOR®

LS/LSX series

S/SX series

S/SX-Tubes series

Accessories

TRAXLINE®



## Mounting kit

Fast movements of the robot arms generate high accelerations and therefore high tensile forces on the cable carrier.

To transfer these tensile forces, ROBOTRAX® has a hole at the center of each chain link through which the steel cable is pulled. This steel cable takes on the function of force transmission.

The steel cable is fixed with a clamping piece on one side. ROBOTRAX® permits accelerations up to 10 g.

The clamping piece can be used to easily set the chain links to the desired tension and adjust them at any time.

### Long service life of the cables and hoses:

The forces are primarily transmitted by the cable carrier and not by cables and hoses.

The mounting set consists of steel cable, clamping and tension piece for up to 5 m cable carrier length.



## Quick-release brackets

The ROBOTRAX® is fixed and continued with quick-release brackets which are attached with screws. The quick-release brackets fit on any chain link of the respective size. This means the fixing points can be individually adjusted to the motion sequence.

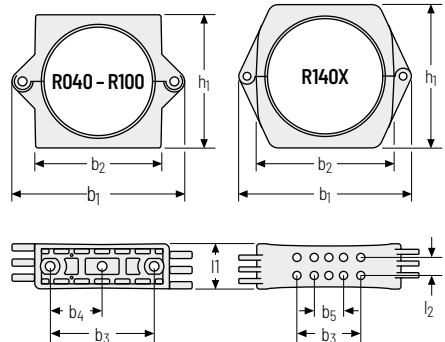
### Locking bolt:

100% recyclable, cost-effective locking bolt, optimized for installation space and environment. The bolt can be assembled and disassembled without tools. (Also available as a screwed version)



## Dimensions

	R040	R056	R075	R085	R100	R140X
$h_1$ [mm]	54	70	86	105	120	164
$h_2$ [mm]	15	22	28	30	32	50
$l_2$ [mm]	-	-	-	-	-	20
$b_1$ [mm]	82	86	110	133	150	197.4
$b_2$ [mm]	50	63	82	96	112	158
$b_3$ [mm]	36	48	64	72	70	70
$b_4$ [mm]	18	24	32	36	35	35
$b_5$ [mm]	-	-	-	-	-	32
<b>Screws</b>	2xM4	2xM4	2xM6	2xM8	2xM8	4xM8




Please state the desired type series and quantity when ordering.

## Heat shield/protective cover

**Heat shield:** The heat shield made from aluminum-coated textile fibers protects the ROBOTRAX® system and inserted cables against flying sparks, weld spatter and radiated heat.

**Protective cover:** The protective cover made from coated polyester protects against aggressive cutting fluids, hydraulic oils, fine dust and paint spatter.




 Please state the desired type series and quantity when ordering.

MT series
XLT series
<b>ROBOTRAX® System</b>

## Strain relief for cable ties

(available for all types)  
For secure fixing of the cables.  
The strain relief can be used on either end.



 Please state the desired type series and quantity when ordering.

FLATVEVOR®
CLEANVEVOR®
LS/LSX series

## Strain relief LFR

(for types R075, R085, R100 and R140X)  
Secure cable fixing, gentle on the cables.  
Multi-layer cable fixing is also possible with double and triple LineFix® clamps. Several systems can be installed in sequence.  
LineFix® strain reliefs – see page 906.



 Please state the desired type series and quantity when ordering.

S/SX series
S/SX-Tubes series
Accessories

TRAXLINE®
-----------



## PBU pull back unit

(for types R040, R056, R075, R085 and R100)



Please state the number, robot type and type series when ordering.

**PBU:** With fast movement sequences and large work envelopes, the relatively long carriers knock against the robot arm. The repeated impact significantly reduces the service life of the cable carrier and the cables within, and the entire system can fail. Downtimes cause high costs and problems in the manufacturing process – so they have to be avoided.

- » Compact design: fewer interfering contours and lower risk of collision
- » Maximum flexibility for cable carrier routing
- » No maintenance on the retraction element required
- » Standard mounting for KUKA, ABB and FANUC

PBU is available for new robots, regardless of size, manufacturer, type or application, as well as retrofits and upgrades for existing workcells. It can be mounted vertically, horizontally or upside down. The extension length of the LSH 3 is 350 mm.



	R040	R056	R075	R085	R100
<b>H<sub>z</sub></b> [mm]	187	187	221	221	268
<b>Type</b>	<b>Fotensile forces F [N]</b>				
PBU Light	40.0				
PBU Standard	80.0				
PBU Heavy	110.0				

## Protector

The service life of the cable carriers and cables is significantly reduced by impact during fast movement sequences and in large work envelopes. The Protector protects the cable carrier against hard impacts, excessive abrasion and premature wear, while also acting as a limitation for the smallest bending radius. Downtimes are minimized. Not the entire cable carrier has to be replaced, but only the Protector in some cases.



Please state the desired type series and quantity when ordering.

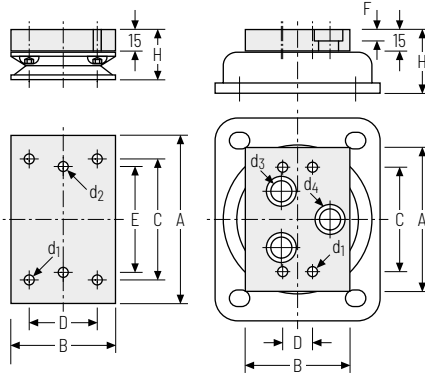
### Turntable for quick-release bracket


One additional degree of freedom on the attachments points. When mounted on a turntable, the quick-release bracket can rotate as well, to offer increased flexibility during complex robot movements.



#### Dimensions

	R040	R056	R075	R085	R100	R140X
A [mm]	57	65	82	96	112	96
B [mm]	57	57	57	70	70	70
C [mm]	43	43	43	75	75	70
D [mm]	43	43	43	45	45	20
E [mm]	36	48	64	72	70	-
F [mm]	-	-	-	-	-	8
H [mm]	27.5	27.5	27.5	34	34	43
d <sub>1</sub> [mm]	M6	M6	M6	M6	M6	M8
d <sub>2</sub> [mm]	M4	M4	M6	M8	M8	-
d <sub>3</sub> [mm]	-	-	-	-	-	14
d <sub>4</sub> [mm]	-	-	-	-	-	20



 Please state the desired type series and quantity when ordering.

#### Set consisting of



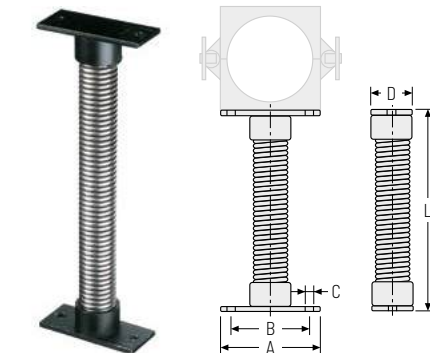
### Coil spring for quick-release bracket


If the quick-release bracket is mounted on a coil spring, it can move elastically in all directions, deflect in 3 dimensions and spring back.



#### Dimensions

	R040	R056	R075	R085	R100
A [mm]	52	64	82	96	112
B [mm]	36	48	64	72	70
C [mm]	5	5	6.5	8.5	8.5
D [mm]	26	30	34	34	34
L [mm]	110	110	-	-	-
	150	150	-	-	-
	-	-	165	165	165
	-	190	-	-	-
	-	-	230	230	230
	-	-	315	315	315
	-	-	465	465	465



 Please state the desired type series and quantity when ordering.

MT series

XLT series

ROBOTRAX® System

FLATVEVOR®

CLEANVEVOR®

LS/LSX series

S/SX series

S/SX-Tubes series

Accessories

TRAXLINE®